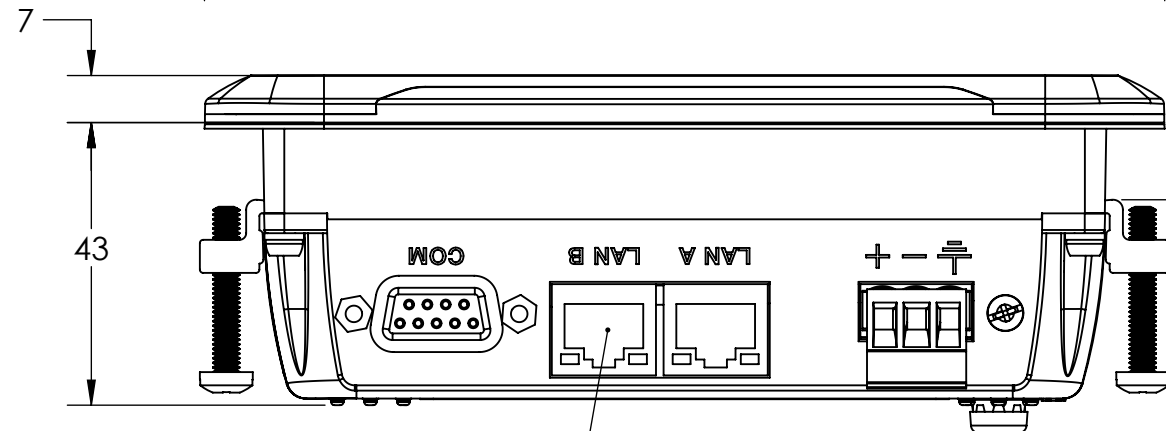
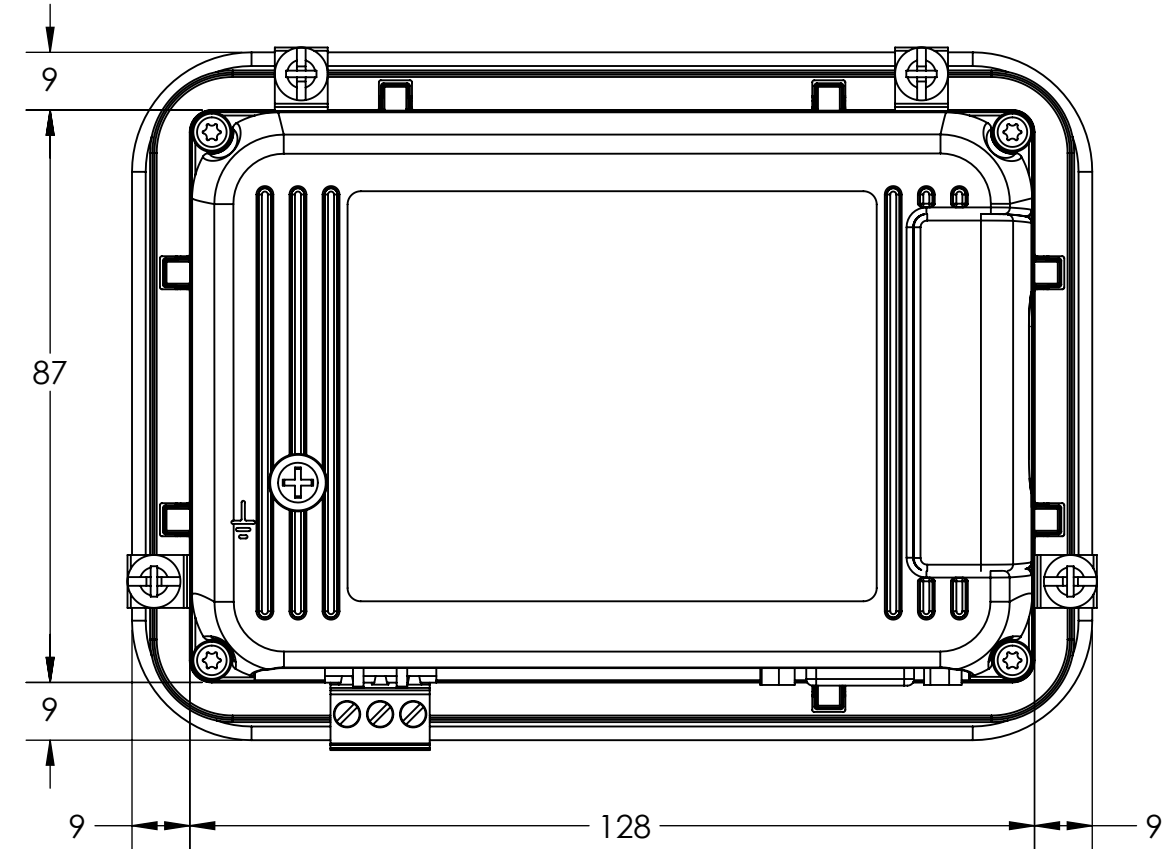
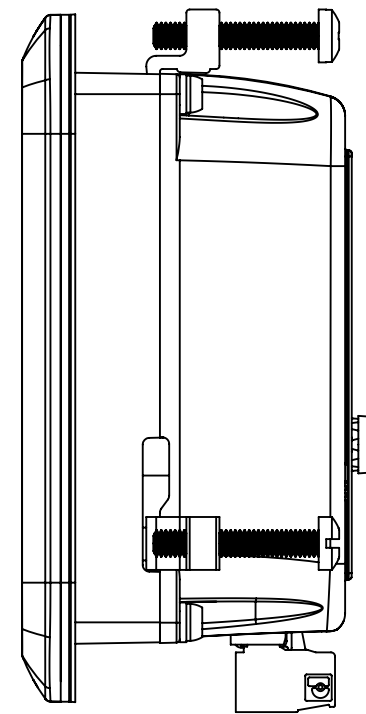
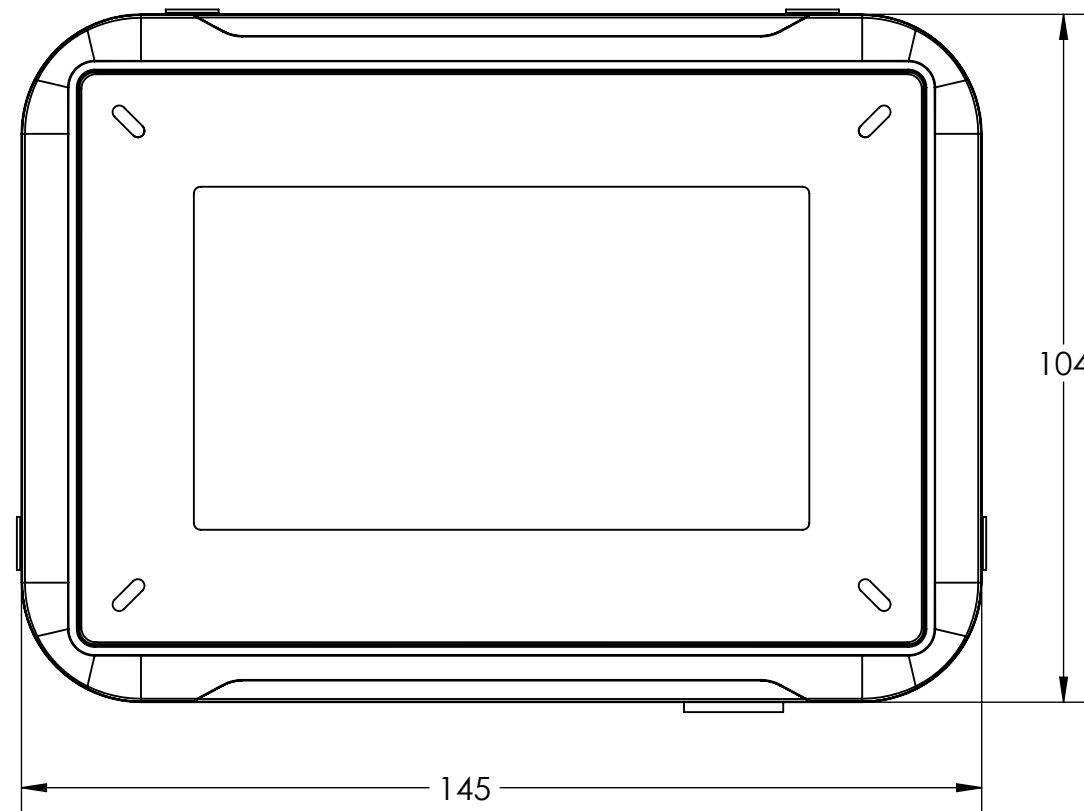
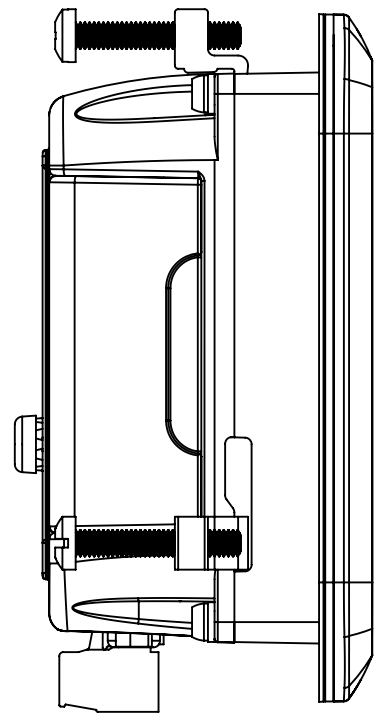
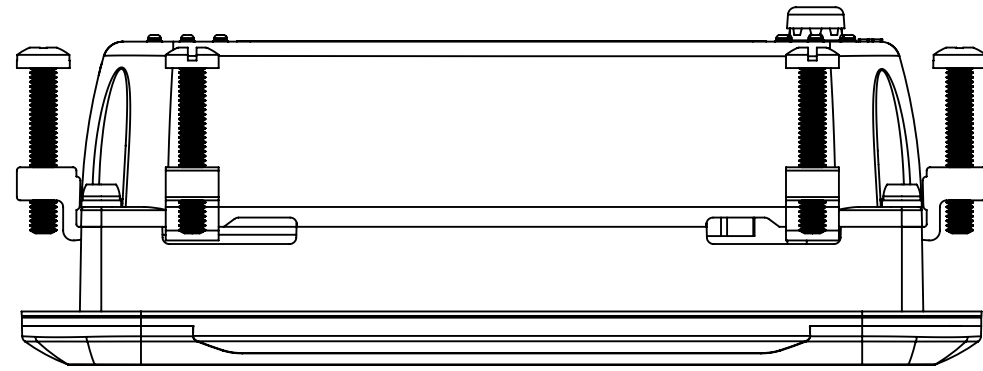


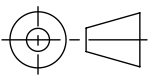
REV.	DESCRIPTION	ECODATE	ECO#
A	Initial release.	15 Jan 2016	NA



maximum material thickness 11 mm

"LAN B" not included with X2 pro

DRAWING GENERATED USING SOLIDWORKS  
 © Beijer Electronics Inc. all rights reserved. The contents of this document are confidential and proprietary. All copies of this document are the property of Beijer Electronics Inc. This document shall not be released to third parties, or used except as necessary for work performed by or for Beijer Electronics Inc.  
 FB REV 04

METRIC		UNLESS OTHERWISE SPECIFIED DIMENSIONS ARE IN MILLIMETERS.		Beijer ELECTRONICS	
THIRD ANGLE PROJECTION		<150 mm ± 0.13 mm >150 mm ± 0.25 mm ANGLES: ± 0.5°		Beijer Electronics Inc. 1845 West 2100 South Salt Lake City, Utah 84119 • USA www.beijerelectronicsinc.com	
		ORIGINATOR: Nick Harper		TITLE: X2 pro 4-B2, X2 control 4-B2, X2 motion 4-B2 Outline Dimensions	
DIMENSIONS AND TOLERANCES PER ASME Y14.5M		ORIGINATION DATE: 15 Jan 2016		DWG. NO. DDOC-00001	
DO NOT SCALE DRAWING		APPROVAL:		REV A	
				SHEET 1 OF 1	

Phone 801-466-8770  
 Fax 801-466-8792